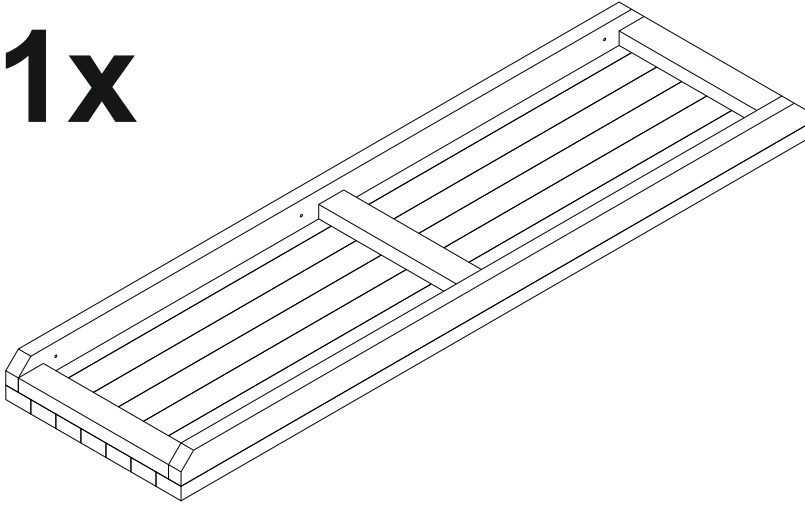


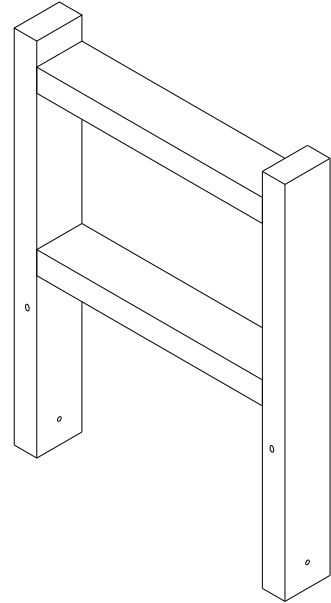
7 FT WORKBENCH

INCLUDED

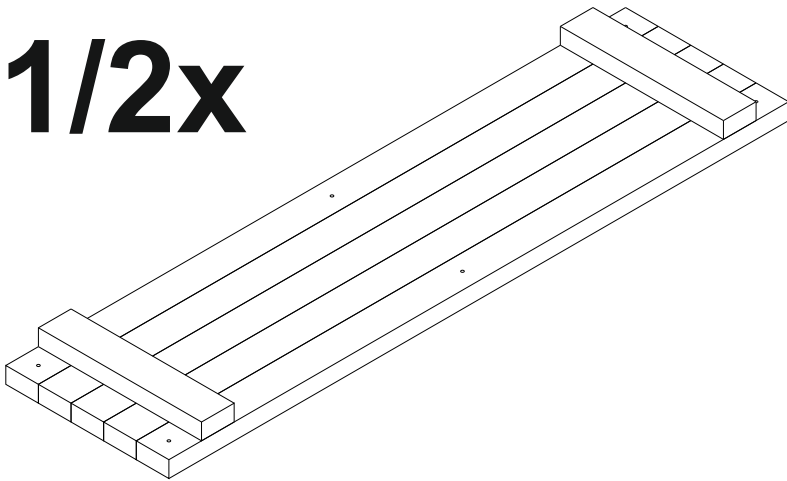
1x



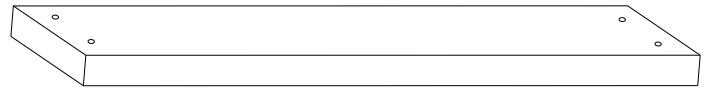
3x



1/2x



2x

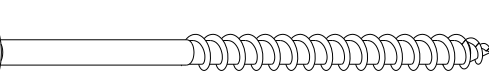


4x



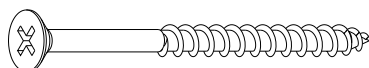
ACCESSORY LIST

10/14x



75mm

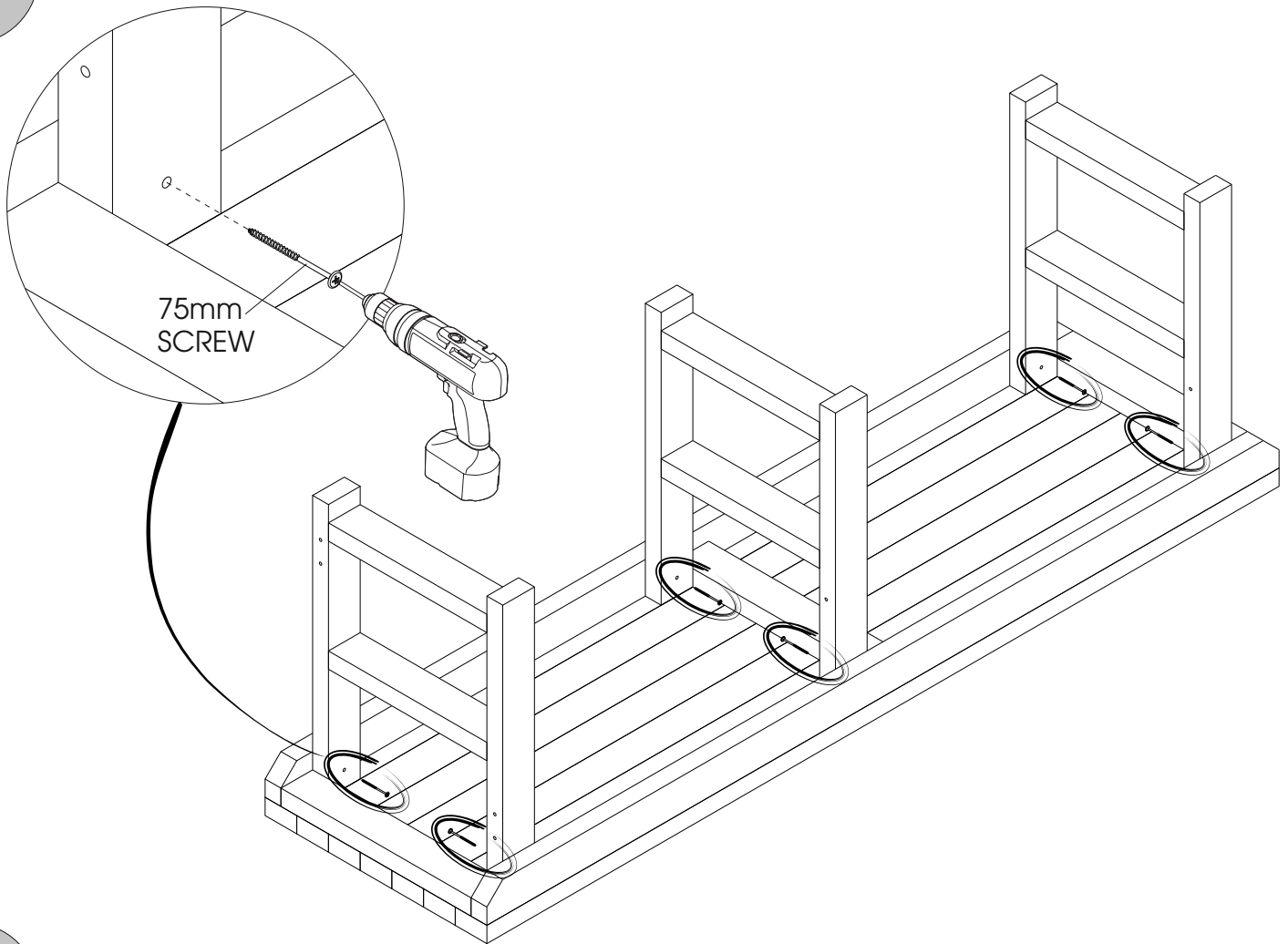
26x



65mm

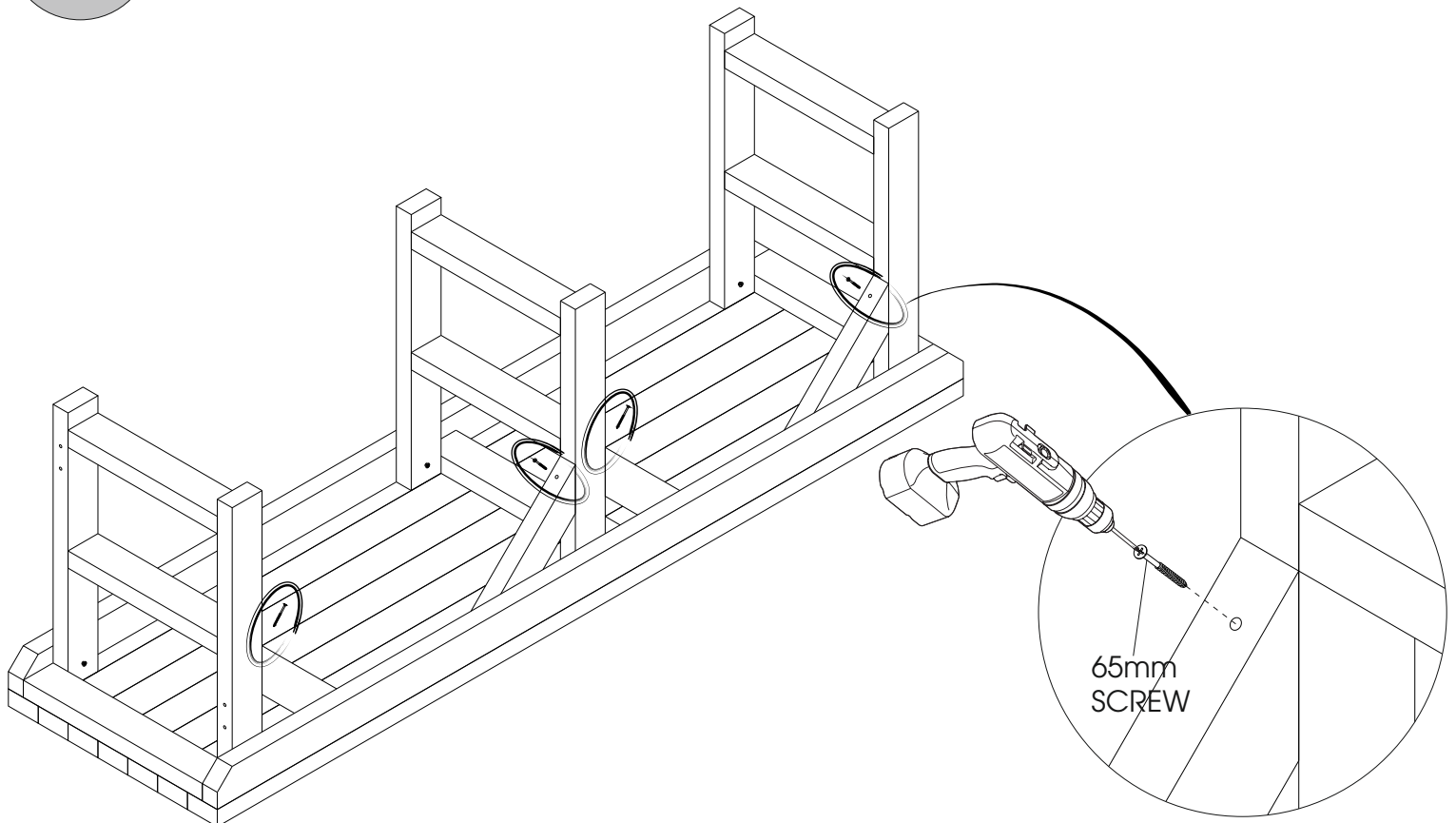
1

1. Place table top upside down and bring legs to table top cleats.
2. Attach legs to table top closures using 2x75 mm structural screws.



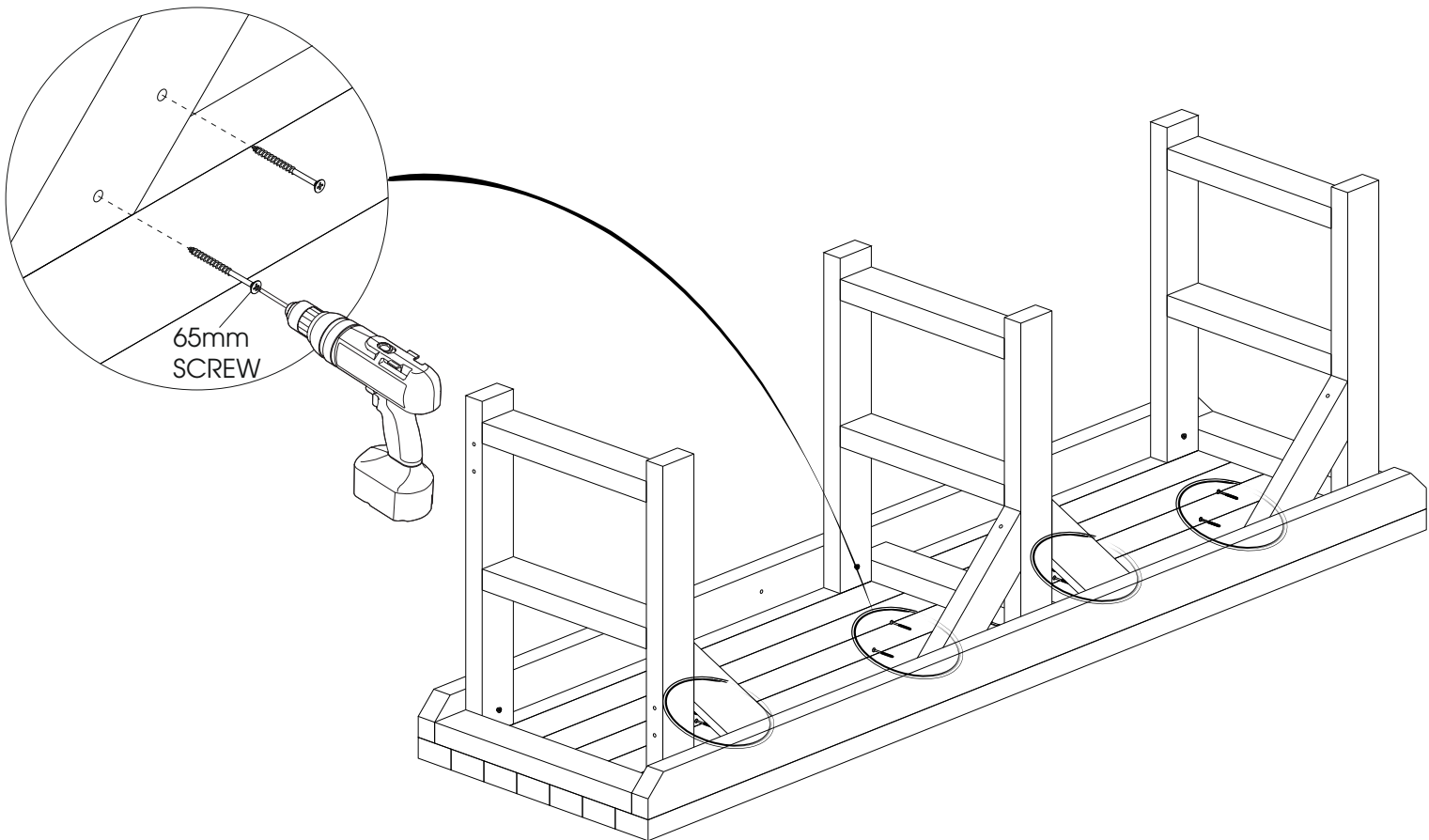
2

8. Place diagonal braces to sit flush onto leg assemblies and screws using 65 mm decking screws



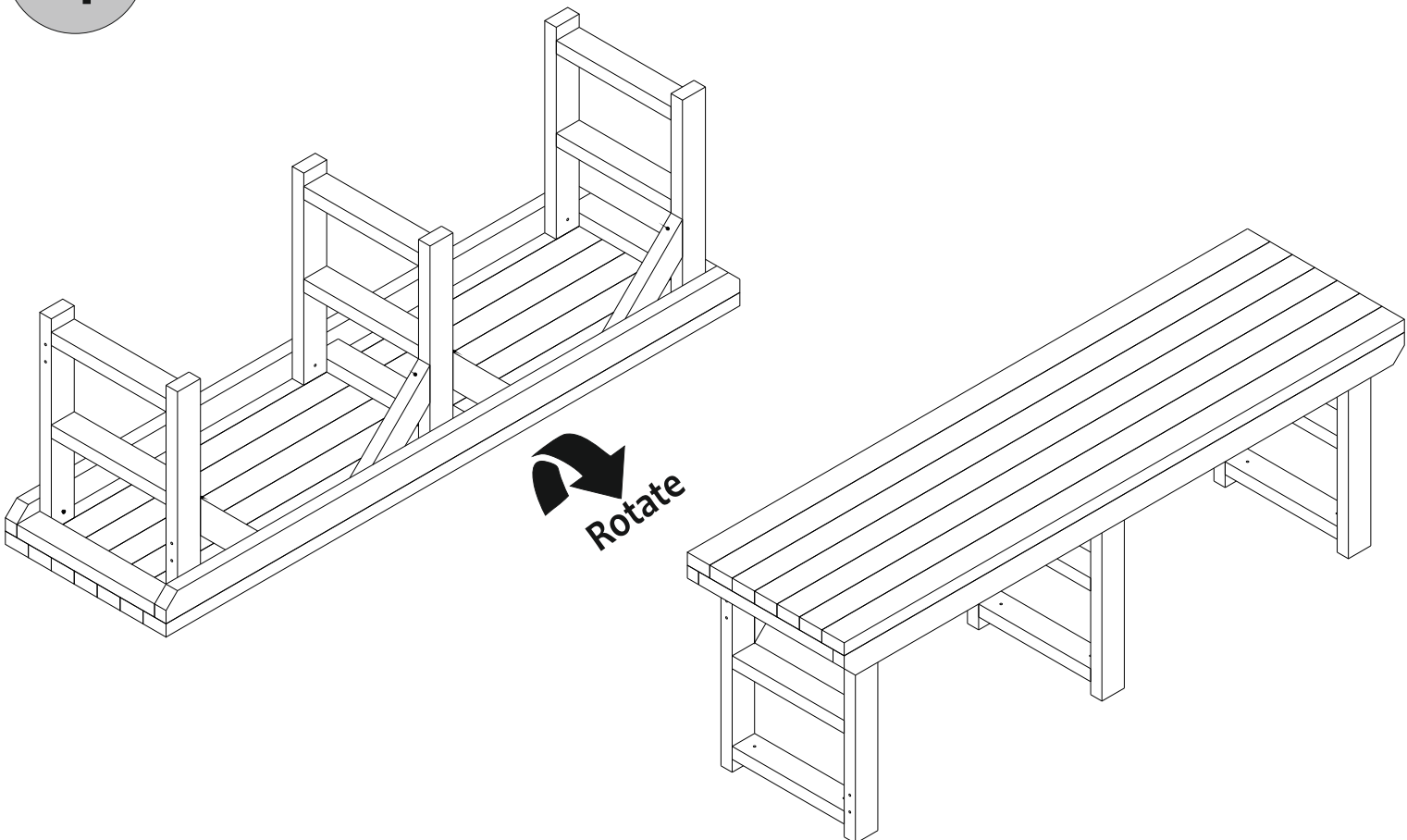
3

2 x 65mm decking screws through the diagonal brace into the front closure (do not screw into table top)



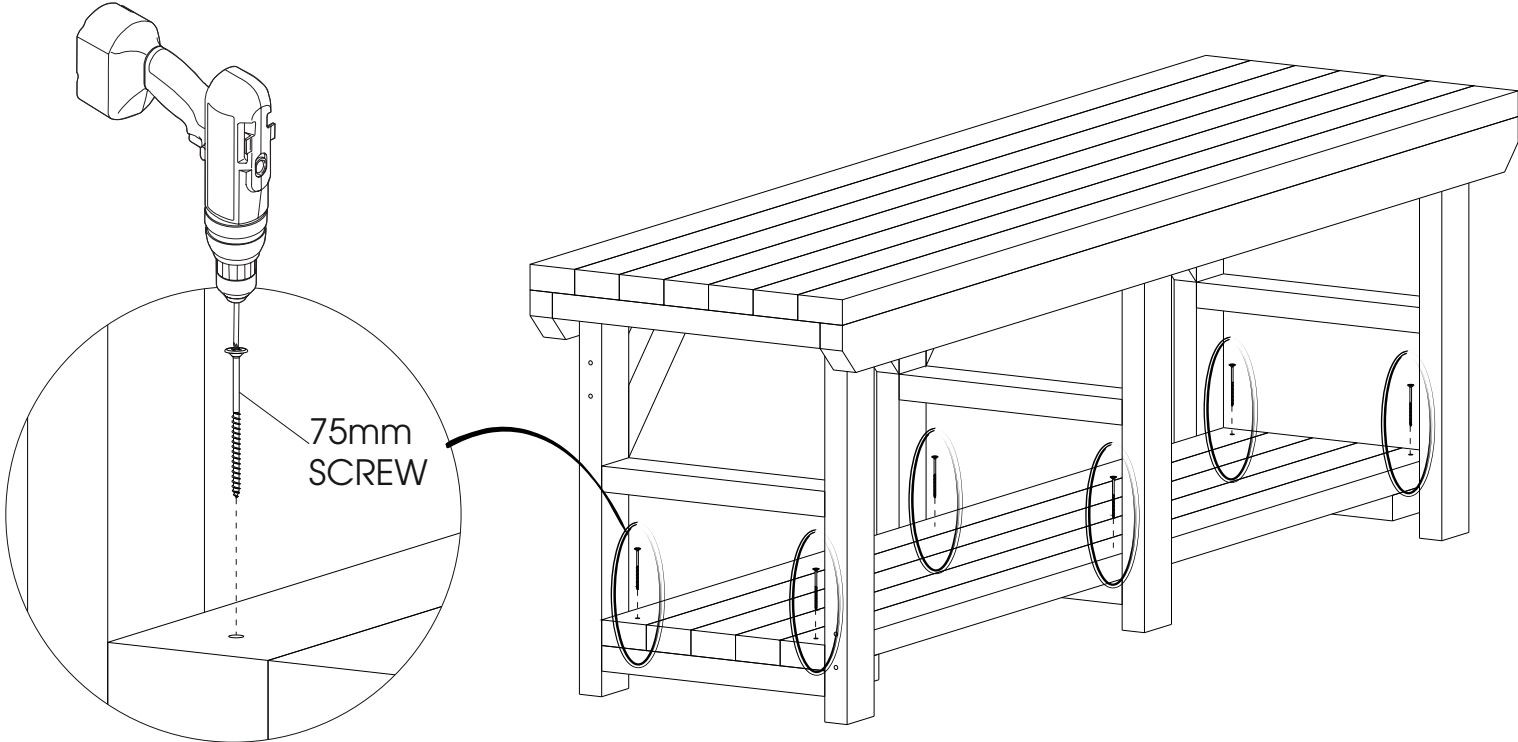
4

Turn the table on its feet



5

Slide the shelf in. Attached the rack from the top of the slats using 4 x 75 mm Screws



6

Attach the leg cross braces using 4 x 65mm screws on each leg

